

Amplifier Module for 2 Direction Proportional Valves, Crowning and Pressure Valves

CybVA 6

The CybVA 6 module can simultaneously operate two Hoerbiger type or equivalent proportional valves, one pressure valve and one crowning valve.

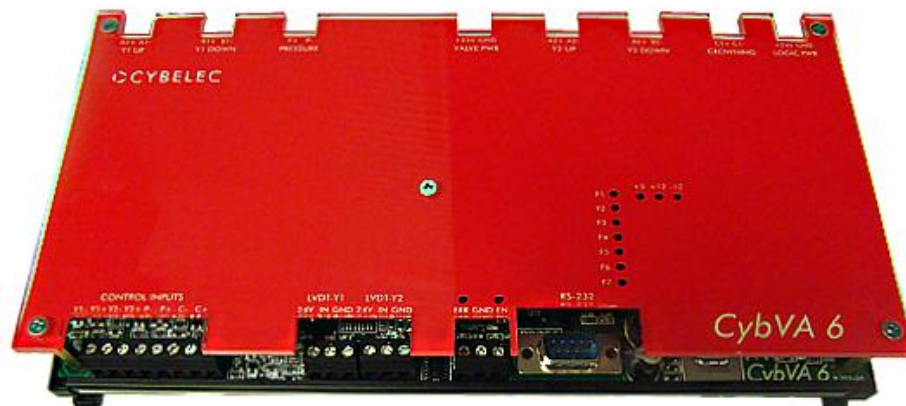
CybVA6 can also drive open-loop Rexroth or equivalent proportional valves without feedback.

The housings allow the CybVA 6 to be mounted on standard 35 mm rails DIN 46277-3 (EN 60715).

The installation instructions must be followed strictly.

Type

CYBELEC product N°	Type	Power supply	Current
S-CAH-CybVA6	CybVA 6	24VDC \pm 10%	Configurable to 3A / valve



Non contractual photo

Technical Data

- 2 separate power supplies: 24VDC Valve power / 24VDC logic.
- 2 analog inputs for directional valves (2 solenoids each): +/- 10VDC.
- 2 power outputs for Hoerbiger directional valves, PIL or PIH series or similar.
- Valve current output: max 3A each coil (PWM).
- Directional valves feedback 0-15V with autoscaling function.
- 2 power outputs for proportional pressure and crowning valves, input 0-10VDC.
- RS232 port for diagnostics and valves parameter setting.
- Digital output for "Error" signal is 24VDC, 50mA max.
- Enable input for power ability.
- 35 mm rails DIN 46277-3 (EN 60715) mount.

Main Features

Current	I ≤ 4.5A for proportional valves
Ambient temperature range	Minimum 0 ⁰ C, Maximum +50 ⁰ C
Inputs	2 set values: ±10V, 10bit ADC 2 set values: 0..+10V, 10bit ADC 1 set value for controller enable: 0-24VDC 2 set values from LVDT displacement sensor: +3V.. +12V, 10bit ADC
Extra output	1 set value for error signal: 0-24VDC
Interfaces	RS232 Sub-D connector for PC communication
Control functions	Offset Dither Frequency: Independently adjustable by software: 50Hz to 250Hz Dither Amplitude: Independently adjustable by software: 0 to 10% of max current. Ramp Rise/Ramp Fall: Independently adjustable by software: 0.01 to 0.5 second Parameter for load sensing for each output
Features	LED indication in case of emergency condition for each output LED indication of power on/off condition Short circuit proof No reverse polarity protection! Can be disconnected from coil when powered Adjustable current limit feature by software and hardware Software programmable PID closed loop parameters
Connections	Screw terminals for AWG 16-30 Wire
Configuration Software	CybVA6Tools software.

Norm conformity

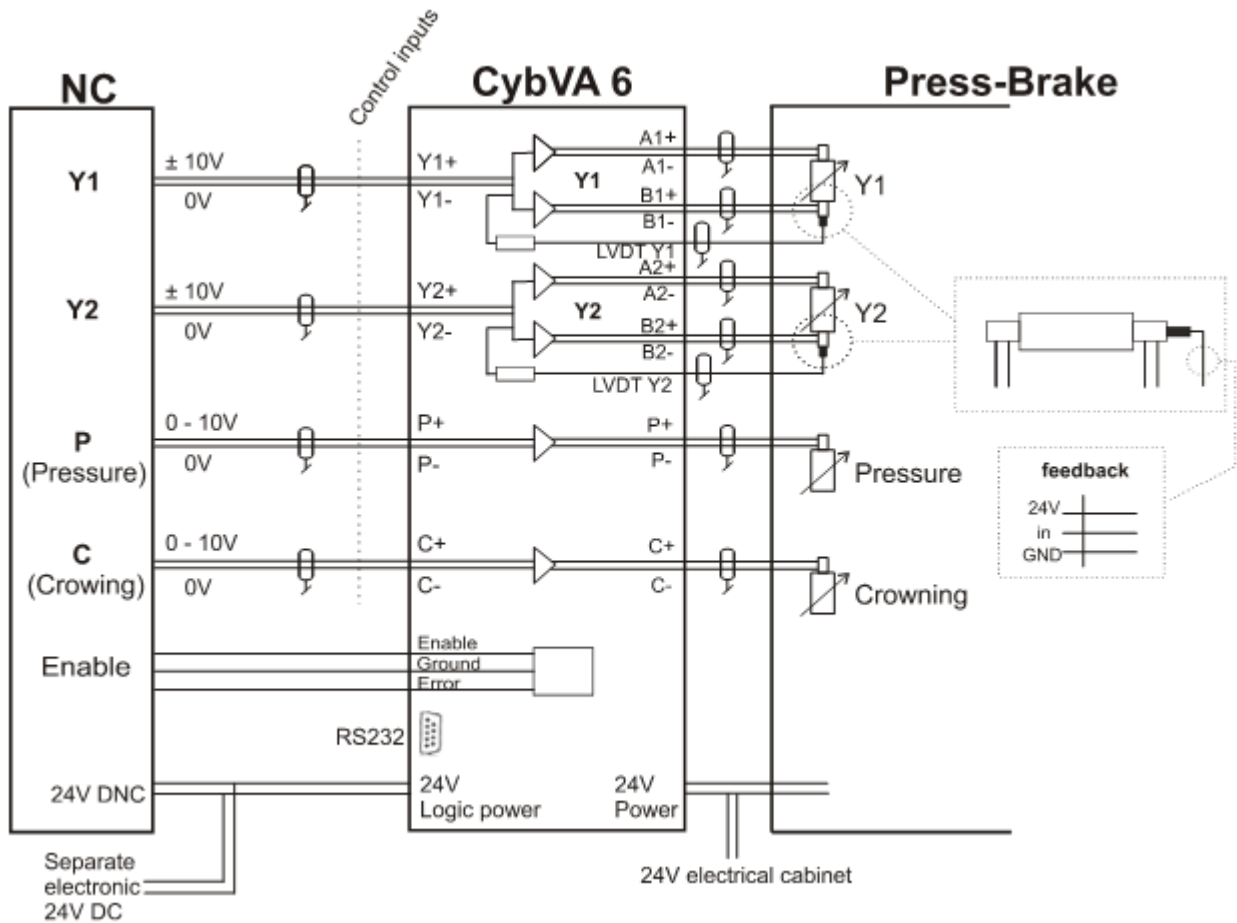
The CybVA 6 amplifier module is certified in conformity with the following electromagnetic norms:

- EN 55011, group 1, category C3, concerning radio-electric, conducted and radiated disturbances.
- EN 61000. 4-2-3-4-5 concerning immunity.

Warranty

CYBELEC certifies the use of this product only in connection with its numerical controls.

Wiring diagrams



Caution: Never set CybVA 6 parameters with 24V PWR ON.
Do not invert 24V power supply polarity.

- All cables must be shielded on their entire length.
- The mass braid must be connected to the connector housing.
- The cables must be separated from the high voltage cables (electromagnetic disturbances).

Dimensions

